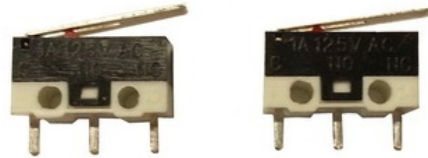


Actuonix Linear Actuator Accessories – Limit Switch Kit

Use this kit to add limit switches to your linear actuator circuit. Limit switches can be added to any –P type actuator, or you can add another limit switch to a –S actuator. The limit switch should be mounted so that the moving mechanism pushes the switch plunger when you wish the actuator to stop. The switch will cut all power to the actuator once pressed. Then the diodes in the circuit will allow you to reverse away from the limit by simply reversing the polarity of the voltage to the actuator. Not included in this kit, are the required power supply (6 or 12volts DC), the DPDT manual switch and the connecting wire.

Contents:

- 2 SPDT N/C switches
- 2 Diodes

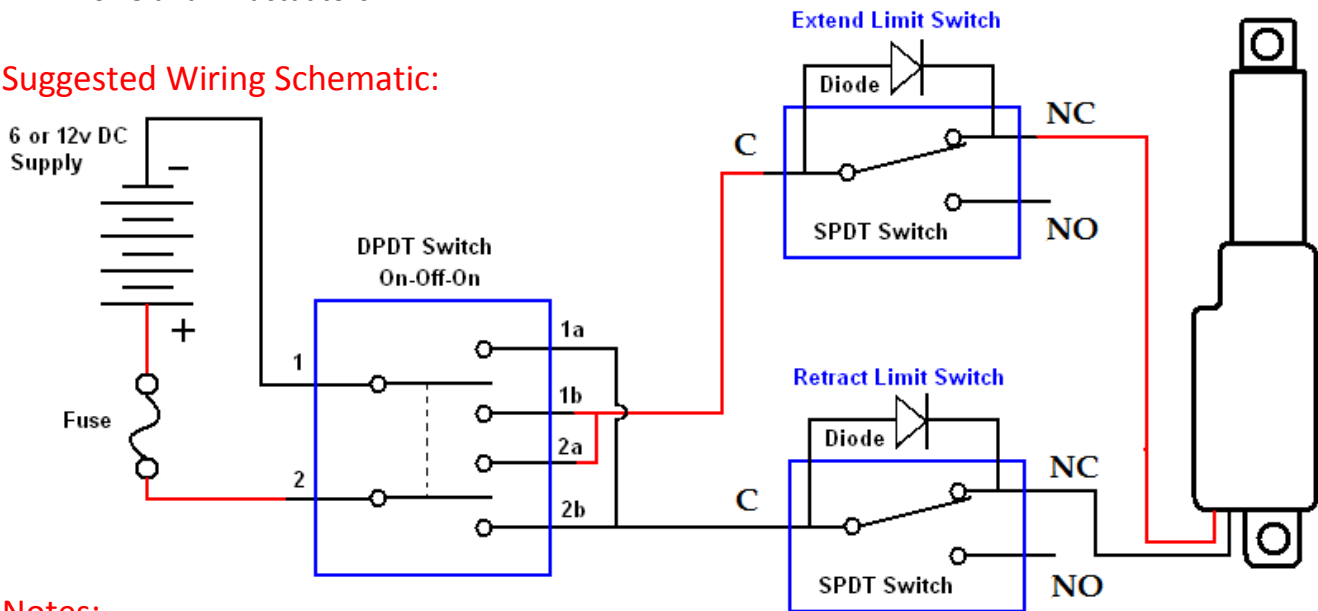


For Use With:

- PQ12 –S and –P actuators
- L12 –S and –P actuators
- L16 –S and –P actuators
- P16 –S and –P actuators
- T-16 –S and –P actuators



Suggested Wiring Schematic:



Notes:

- For more details on each component see our documentation: http://www.actuonix.com/category_s/1930.htm
- To connect a PQ12 actuator, use pins 2 & 3 on the PQ12 connector.
- Either or both of the limit switch/diode assemblies can be wired in series on either the red or black actuator wire. Diodes must be in opposite directions as shown by the silver band on the diode case.
- If the actuator moves to the limit, then will not move when you reverse the direction, try reversing the direction of the diode.



Suggested Connection Method